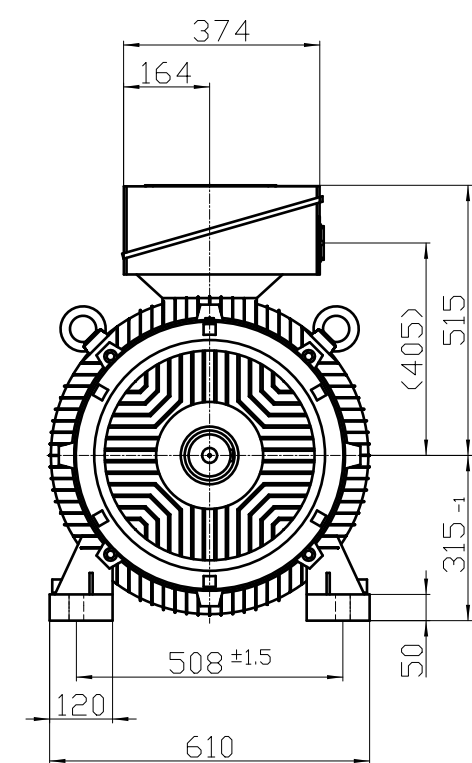
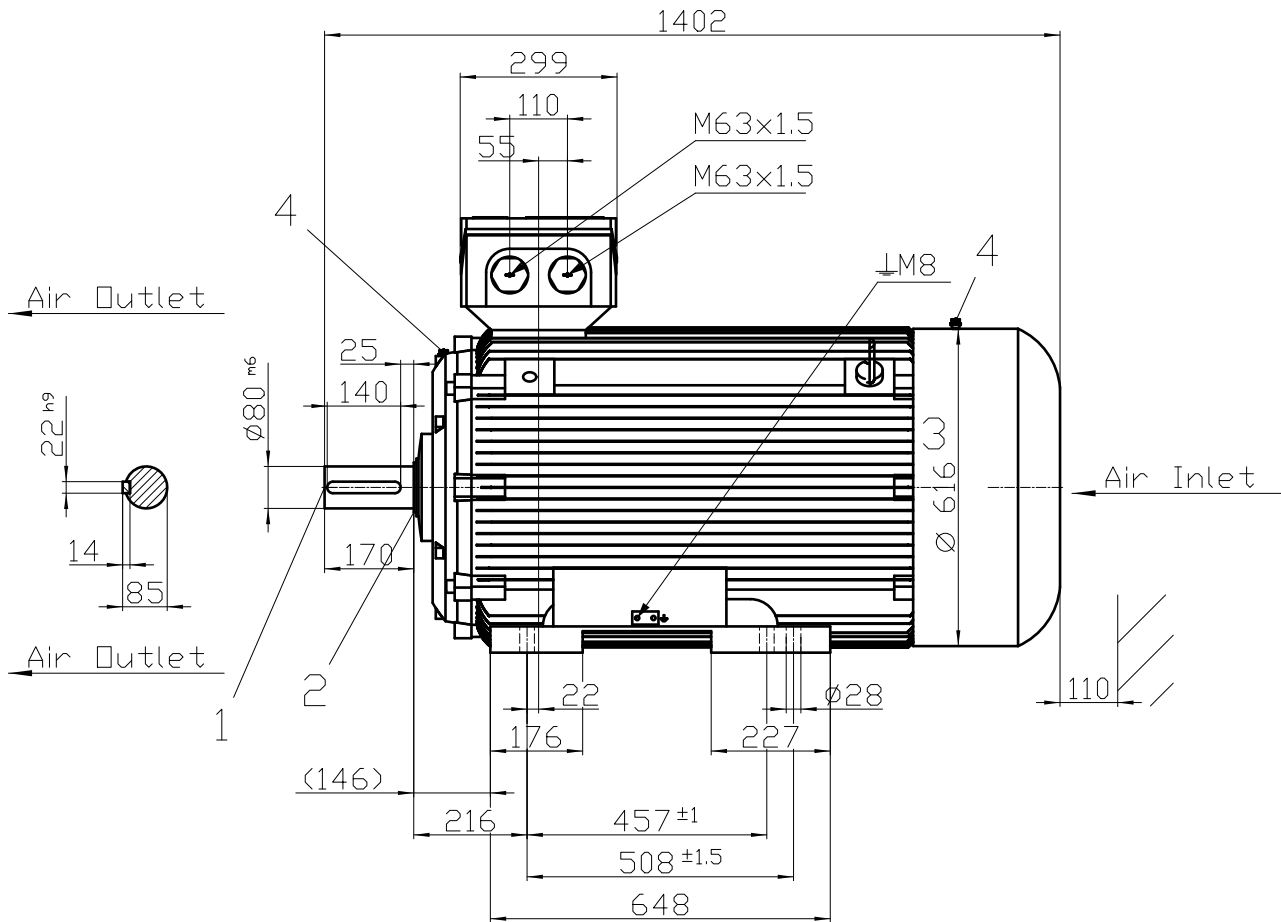


Transmittal, reproduction, dissemination and/or editing of this document as well as the use of the information contained herein without express authorization are prohibited. Infringers will be held liable for payment of damages. All rights created by patent grant or registration of a utility model or design patent are reserved.



FDÜ: [c & a A } d ^ A Q | ^ Á T G e l G
 GDÜ ^ | a - Á : [[ç ^ Á e Á ^ : Á Ö Ö í € J Á Ö Ü K I G
 H D Á ^ æ ~ | ^ a Á e [• • Á & ^ , Á @ æ •
 I D Ö | ^ æ ^ Á q] | ^ Á T F e c F Á e Á ^ : Á Ö Ö H € Ü K € E J

Tolerance	Surface	Material	Weight	Scale
0.05			E	1:1
Author	Creator	Approval	0.05 0.05 0.05 0.05	
ÖVS				
Department				
Change Order		MLFB		
Doc. State	JOB	Item No	Paper Size	CH
Revision	Index	RS	Doc No	Language
© Siemens AG	2019	Project No	E	Ref No
			E	Sheet
				F of F