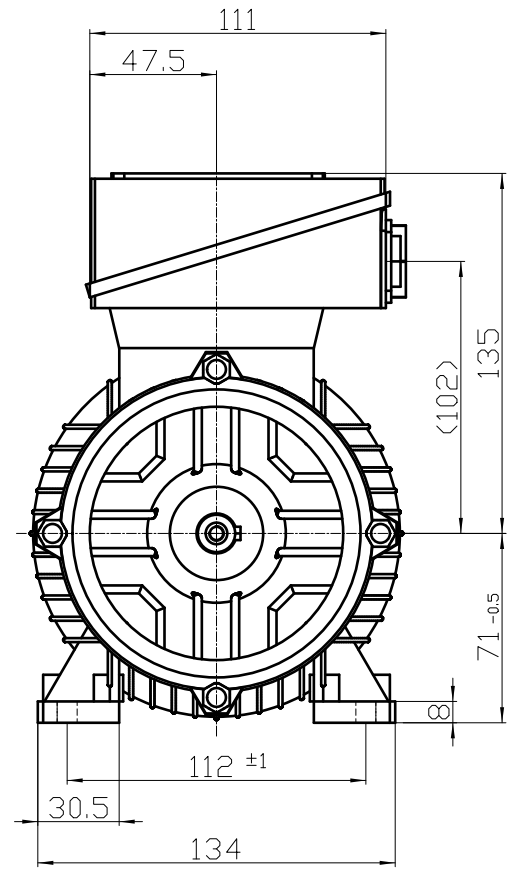
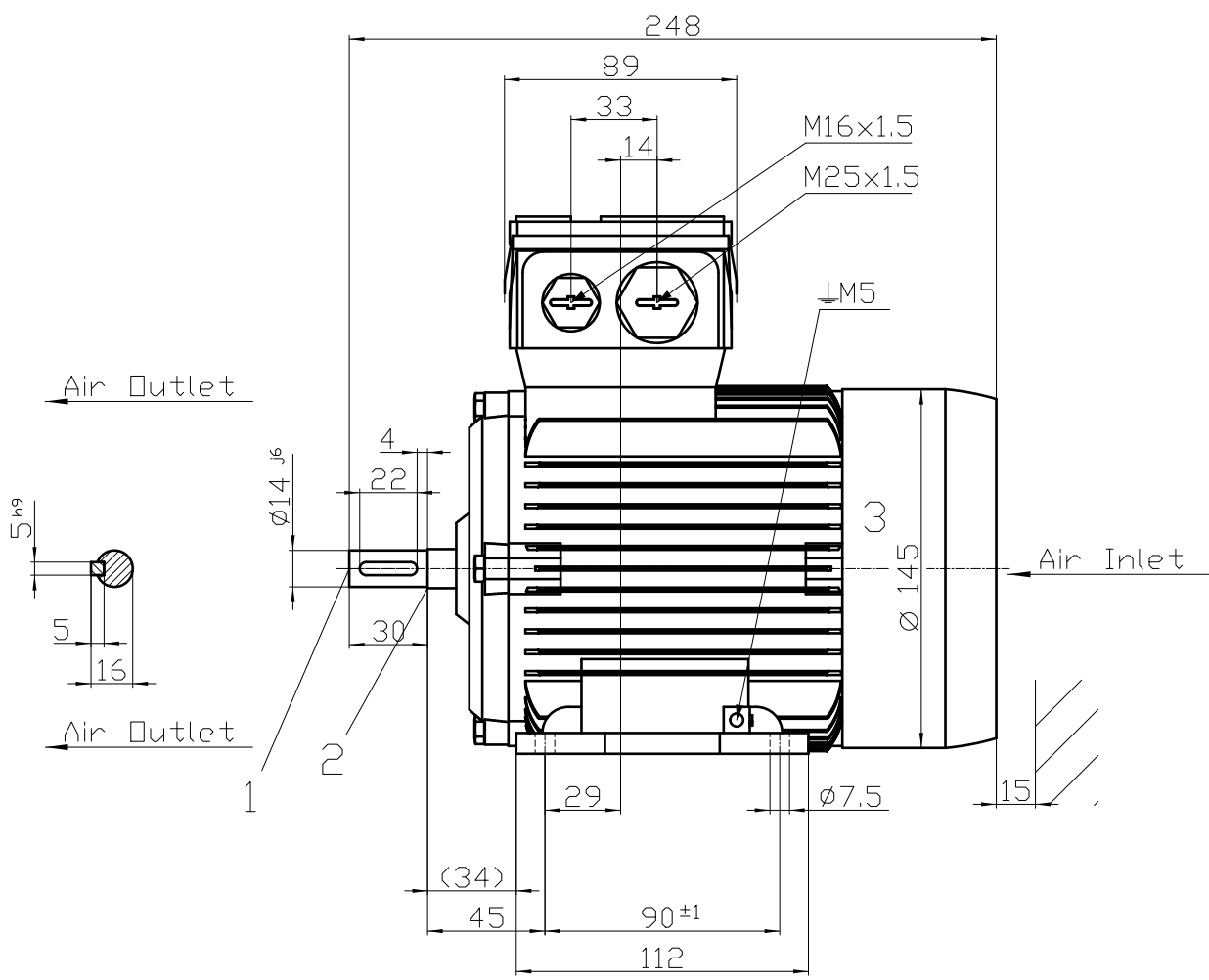


Transmittal, reproduction, dissemination and/or editing of this document as well as the use of its content for any purpose without express authorization are prohibited. Infringers will be held liable for payment of damages. All rights created by patent grant or registration of a utility model or design patent are reserved.



FDÜ: [c & a A } d ^ A Q | A T í ç FG
 GDÜ ^ a - A : [ç ^ A e Á : A Ö Ö í € A A Ü K I G
 HDÄ ^ æ ~ | ^ a A e [• • A & ^ , A @ æ •

Tolerance		Surface	Material	Weight	Scale
ÖÜ Ö P Ä E H I				Ë	⊕ ((
W d ^ a e a Ö e ^ } • e Ö U A G i ç A A Ü ç F e g		Author	Ö a ^ } • e } a e e e e e *		
ÖÜ E FT L A Ö } • e Ö Ö H		Creator	övs		
F S Ö i í e F E Ö Ö e e H Ö E		Approval			
Ë		Department			
		Change Order	MFB	Doc Type	
SIEMENS		Doc. State	J B E I E E G	Item No	Paper Size C E
© Siemens AG 2019		Revision	Index RS	Doc No	Language ^ }
		Project No	Ë	Ref No	Ë
				Sheet	F of F