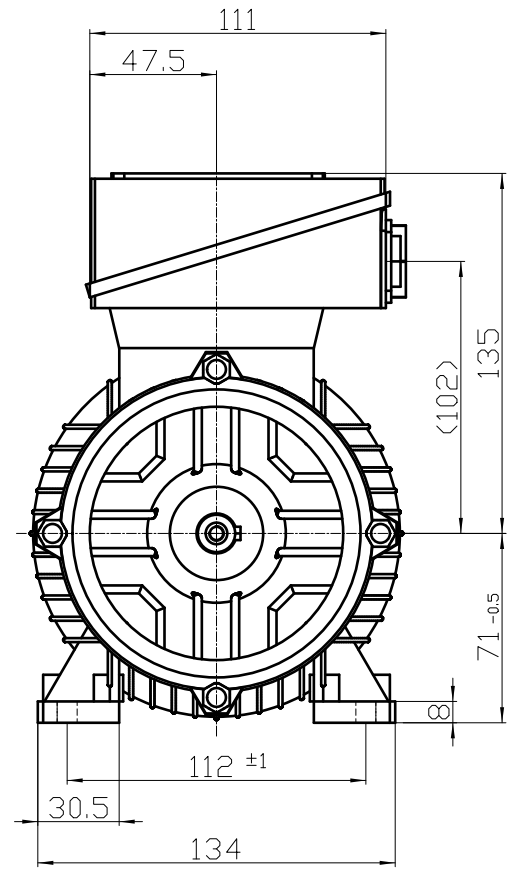
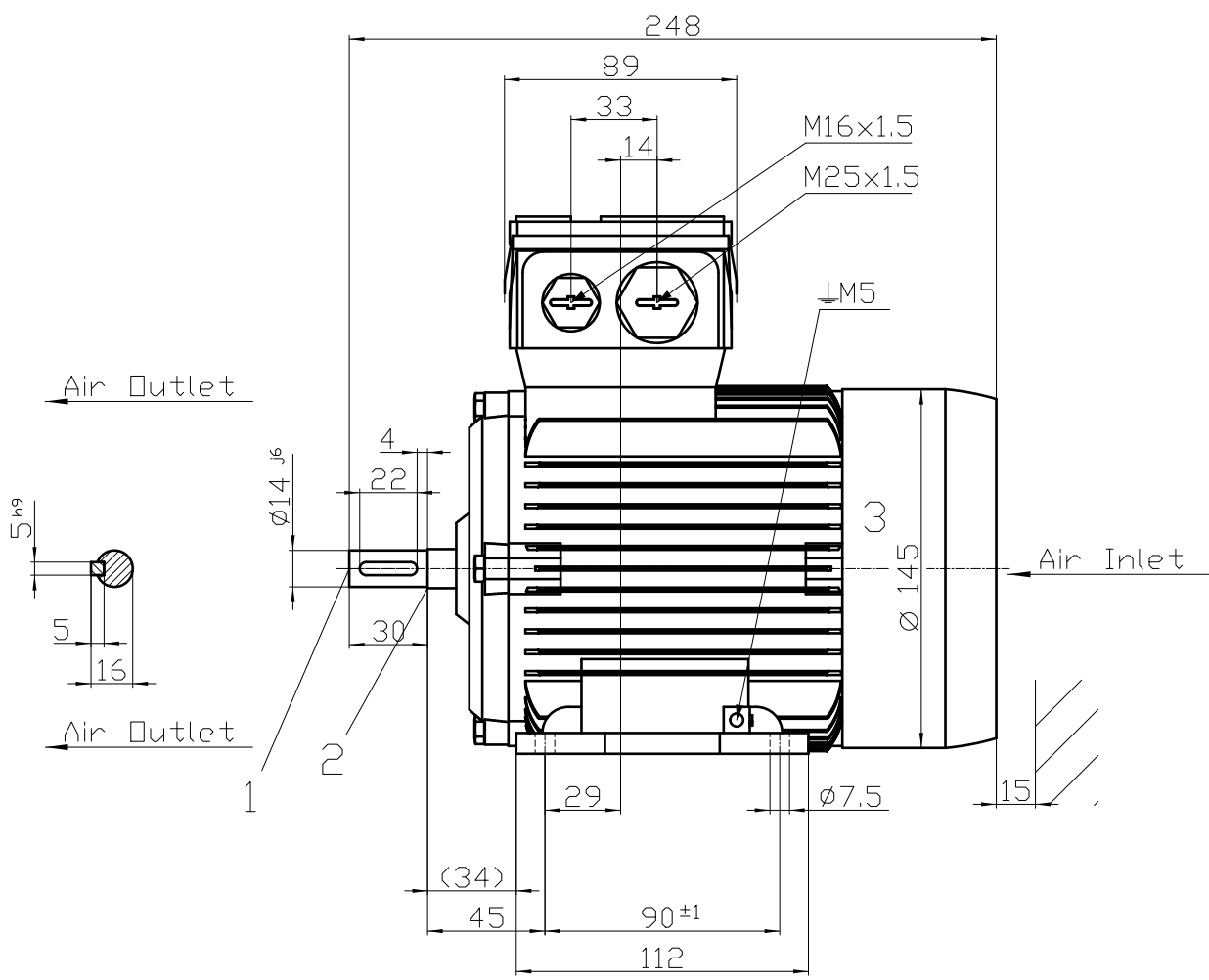


Transmittal, reproduction, dissemination and/or editing of this document as well as the use of its content without express authorization are prohibited. Differences will be held liable for payment of damages. All rights created by patent grant or registration of a utility model or design patent are reserved.



FDÜ: [c & a A } d ^ A Q | ^ Á í ç FG
 GDÜ ^ a ^ Á : [ç ^ Á e Á ^ Á Ö Ö í € Á Ö K I G
 HD ^ a ~ | ^ a Á e [• • Á & ^ , Á @ a a •

Tolerance	Surface	Material	Weight	Scale
Ö Ö Á E H í			É	1:1
W d ^ a e Á Ö Ö í ç Á Ö K I G	Author	Ö a ^ } a } a } a } a }		
Ö Ü E F T L Ö } • d c Ö H	Creator		Ö V S	
F S Ö í e F E Ö Ö G G H Ö E	Approval			
É	Department			
	Change Order	M L F B		Doc Type
	Doc State	J B H E G	Item No	Paper Size
	Revision	Index	Doc No	Language
© Siemens AG	Project No	É	Ref No	É
2019				Sheet F of F

SIEMENS