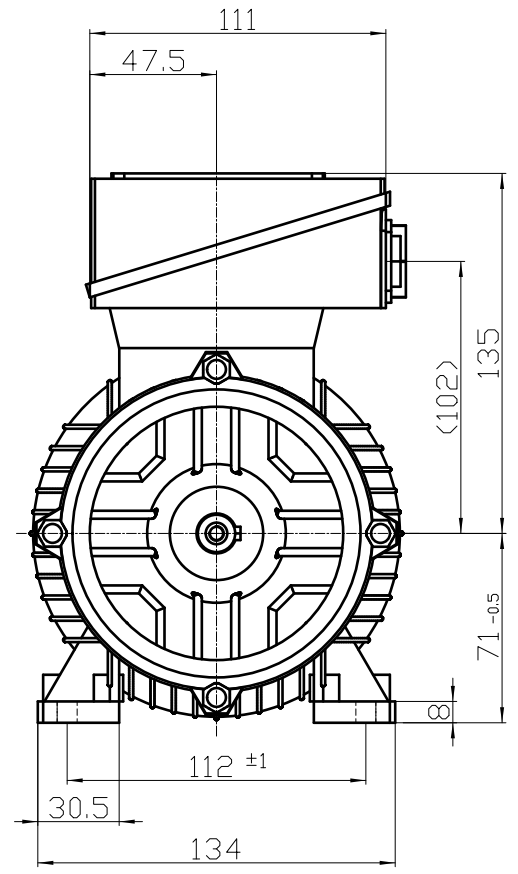
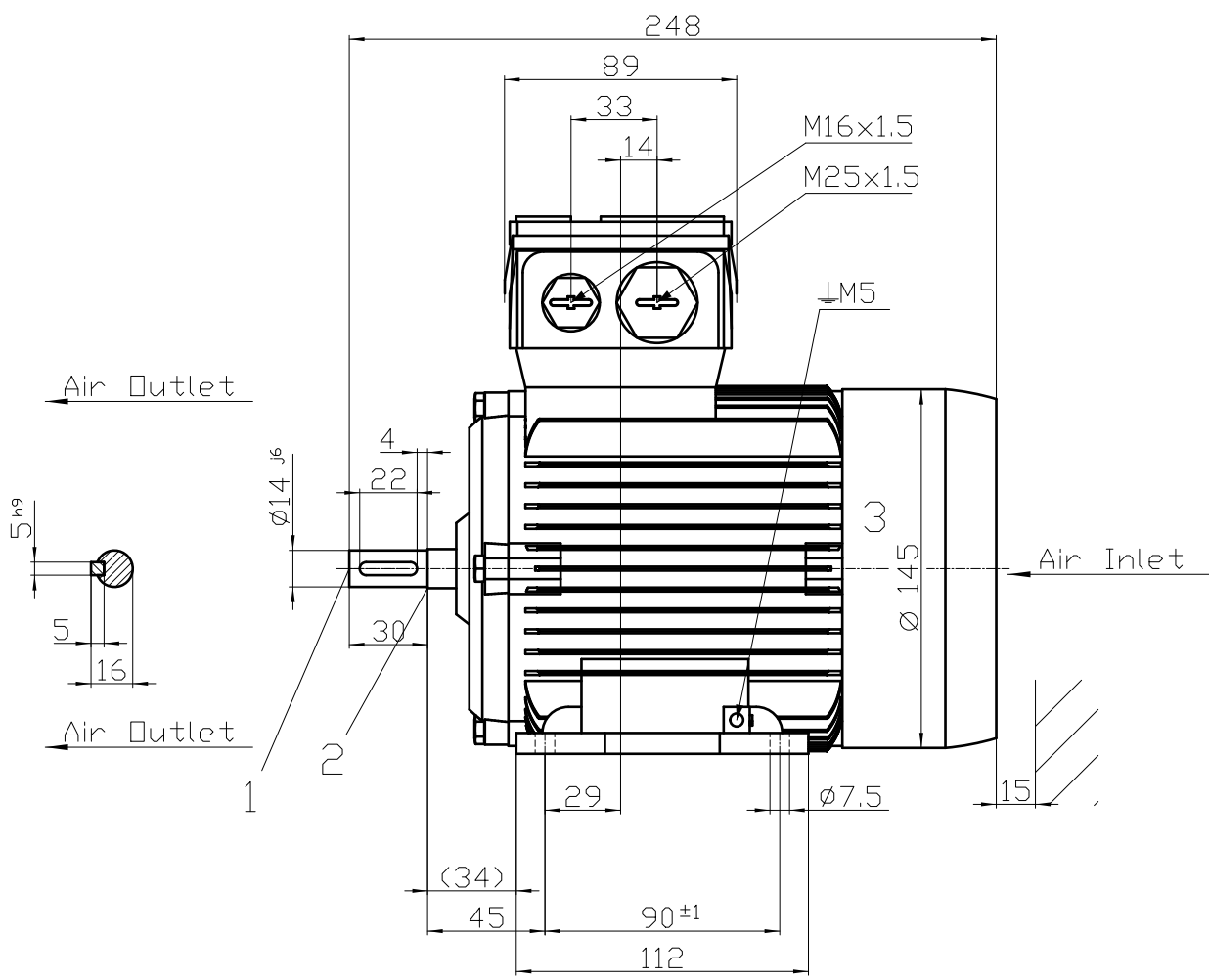


Transmittal, reproduction, dissemination and/or editing of this document as well as the use of its content for any purpose without express authorization are prohibited. Infringers will be held liable for payment of damages. All rights created by patent grant or registration of a utility model or design patent are reserved.



FDÜ: [c & a A } d ^ A Q | ^ Á í ç FG
 GDÜ ^ | a ^ Á : [ç ^ Á e Á ^ : Á Ö í € Á Á Ü KI G
 HD ^ ^ æ ~ | ^ a ^ Á e [• • Á & ^ , Á @ æ •

Tolerance		Surface	Material	Weight	Scale
0.001				E	1:1
0.002					
0.005					
0.01					
0.02					
0.05					
0.1					
0.2					
0.5					
1					
2					
5					
10					
20					
50					
100					
200					
500					
1000					
2000					
5000					
10000					
20000					
50000					
100000					
200000					
500000					
1000000					
2000000					
5000000					
10000000					
20000000					
50000000					
100000000					
200000000					
500000000					
1000000000					
2000000000					
5000000000					
10000000000					
20000000000					
50000000000					
100000000000					
200000000000					
500000000000					
1000000000000					
2000000000000					
5000000000000					
10000000000000					
20000000000000					
50000000000000					
100000000000000					
200000000000000					
500000000000000					
1000000000000000					
2000000000000000					
5000000000000000					
10000000000000000					
20000000000000000					
50000000000000000					
100000000000000000					
200000000000000000					
500000000000000000					
1000000000000000000					
2000000000000000000					
5000000000000000000					
10000000000000000000					
20000000000000000000					
50000000000000000000					
100000000000000000000					
200000000000000000000					
500000000000000000000					
1000000000000000000000					
2000000000000000000000					
5000000000000000000000					
10000000000000000000000					
20000000000000000000000					
50000000000000000000000					
100000000000000000000000					
200000000000000000000000					
500000000000000000000000					
1000000000000000000000000					
2000000000000000000000000					
5000000000000000000000000					
10000000000000000000000000					
20000000000000000000000000					
50000000000000000000000000					
100000000000000000000000000					
200000000000000000000000000					
500000000000000000000000000					
1000000000000000000000000000					
2000000000000000000000000000					
5000000000000000000000000000					
10000000000000000000000000000					
20000000000000000000000000000					
50000000000000000000000000000					
100000000000000000000000000000					
200000000000000000000000000000					
500000000000000000000000000000					
1000000000000000000000000000000					
2000000000000000000000000000000					
5000000000000000000000000000000					
10000000000000000000000000000000					
20000000000000000000000000000000					
50000000000000000000000000000000					
100000000000000000000000000000000					
200000000000000000000000000000000					
500000000000000000000000000000000					
1000000000000000000000000000000000					
2000000000000000000000000000000000					
5000000000000000000000000000000000					
10000000000000000000000000000000000					
20000000000000000000000000000000000					
50000000000000000000000000000000000					
100000000000000000000000000000000000					
200000000000000000000000000000000000					
500000000000000000000000000000000000					
1000000000000000000000000000000000000					
2000000000000000000000000000000000000					
5000000000000000000000000000000000000					
10000000000000000000000000000000000000					
20000000000000000000000000000000000000					
50000000000000000000000000000000000000					
100000000000000000000000000000000000000					
200000000000000000000000000000000000000					
500000000000000000000000000000000000000					
1000000000000000000000000000000000000000					
2000000000000000000000000000000000000000					
5000000000000000000000000000000000000000					
100					
200					
500					
1000					
2000					
5000					
100					
200					
500					
1000					
2000					
5000					
100					
200					
500					
1000					
2000					
5000					
100					
200					
500					
1000					
2000					
5000					
100					
200					
500					
1000					
2000					
5000					
100					
200					
500					
1000					
2000					
5000					
100					
200					
500					
1000					
2000					
5000					
100					
200					
500					
1000					
2000					
5000					
100					
200					
500					
1000					
2000					
50					