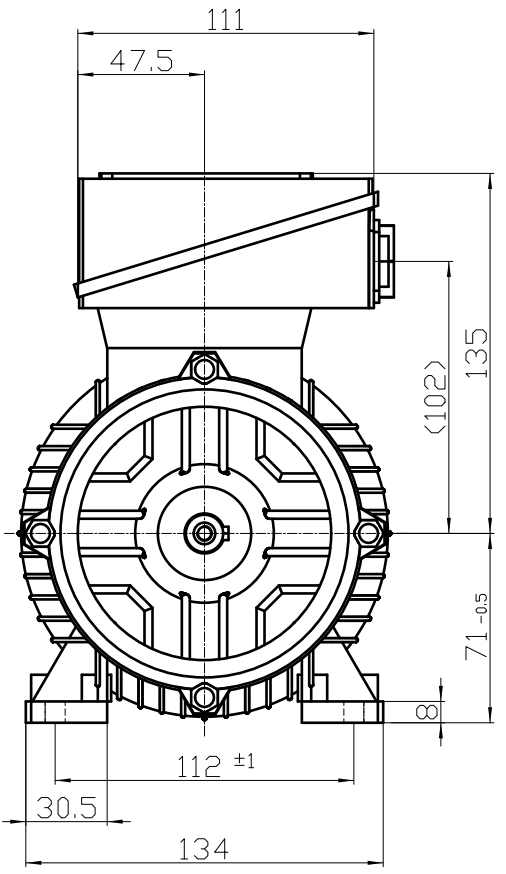
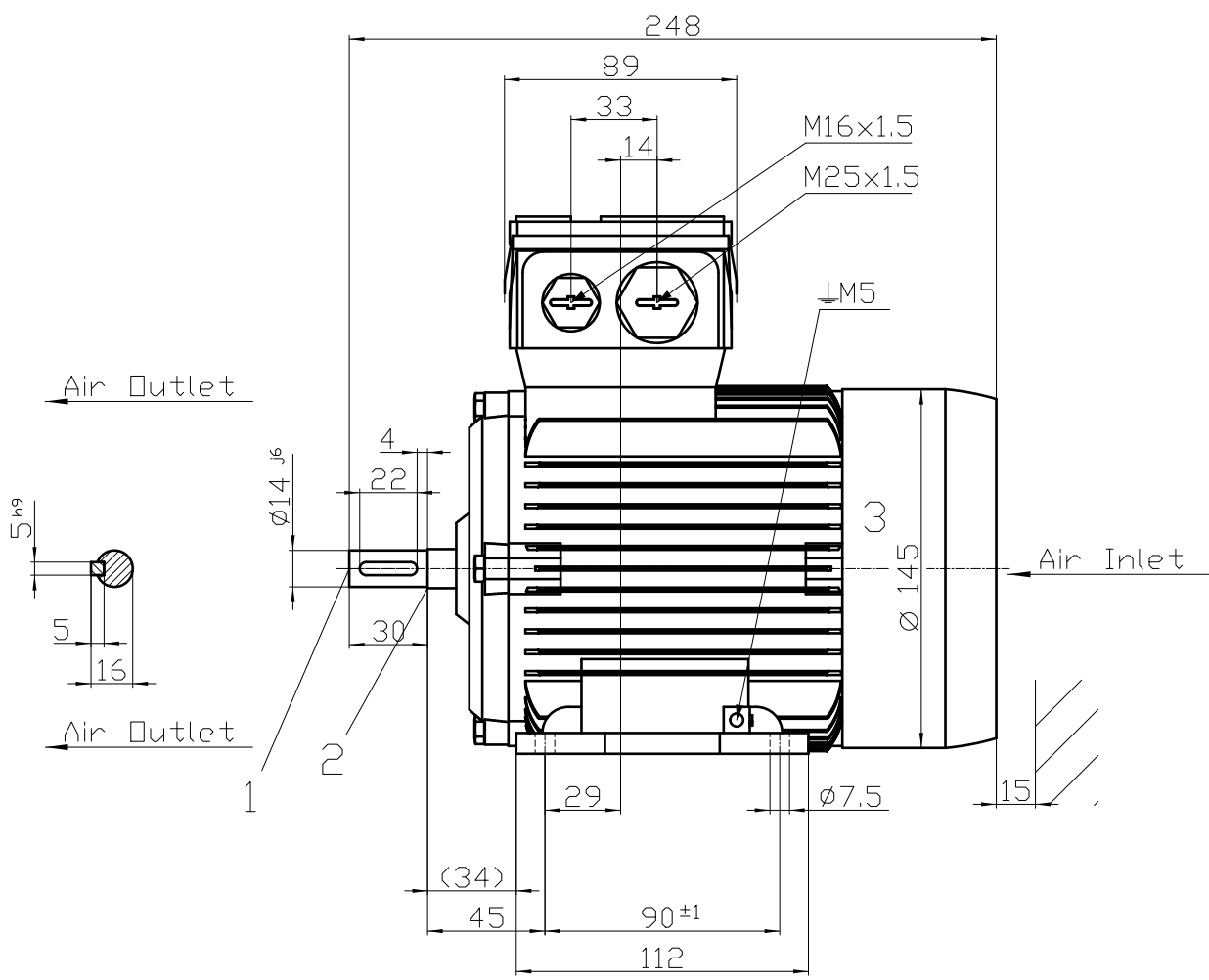


Transmittal, reproduction, dissemination and/or editing of this document as well as the use of its content without express authorization are prohibited. Infringers will be held liable for payment of damages. All rights created by patent grant or registration of a utility model or design patent are reserved.



FDÜ: [c & a A } d ^ A Q | ^ Á í ç FG
 GDÜ ^ a ^ Á : [ç ^ Á e Á ^ Á Ö Ö í € Á Ö K I G
 HD ^ a ~ | ^ a Á e [• • Á & ^ , Á @ a •

Tolerance	Surface	Material	Weight	Scale
0.05			g	1:1
0.1	Author	ÖS		
0.2	Creator			
0.3	Approval			
0.4	Department			
0.5	Change Order	MFB	Doc Type	
0.6	Doc State	Item No	Paper Size	
0.7	Revision	Doc No	Language	
0.8	Index	Ref No	Sheet	
0.9	Project No		F of F	
1.0				



© Siemens AG 2019