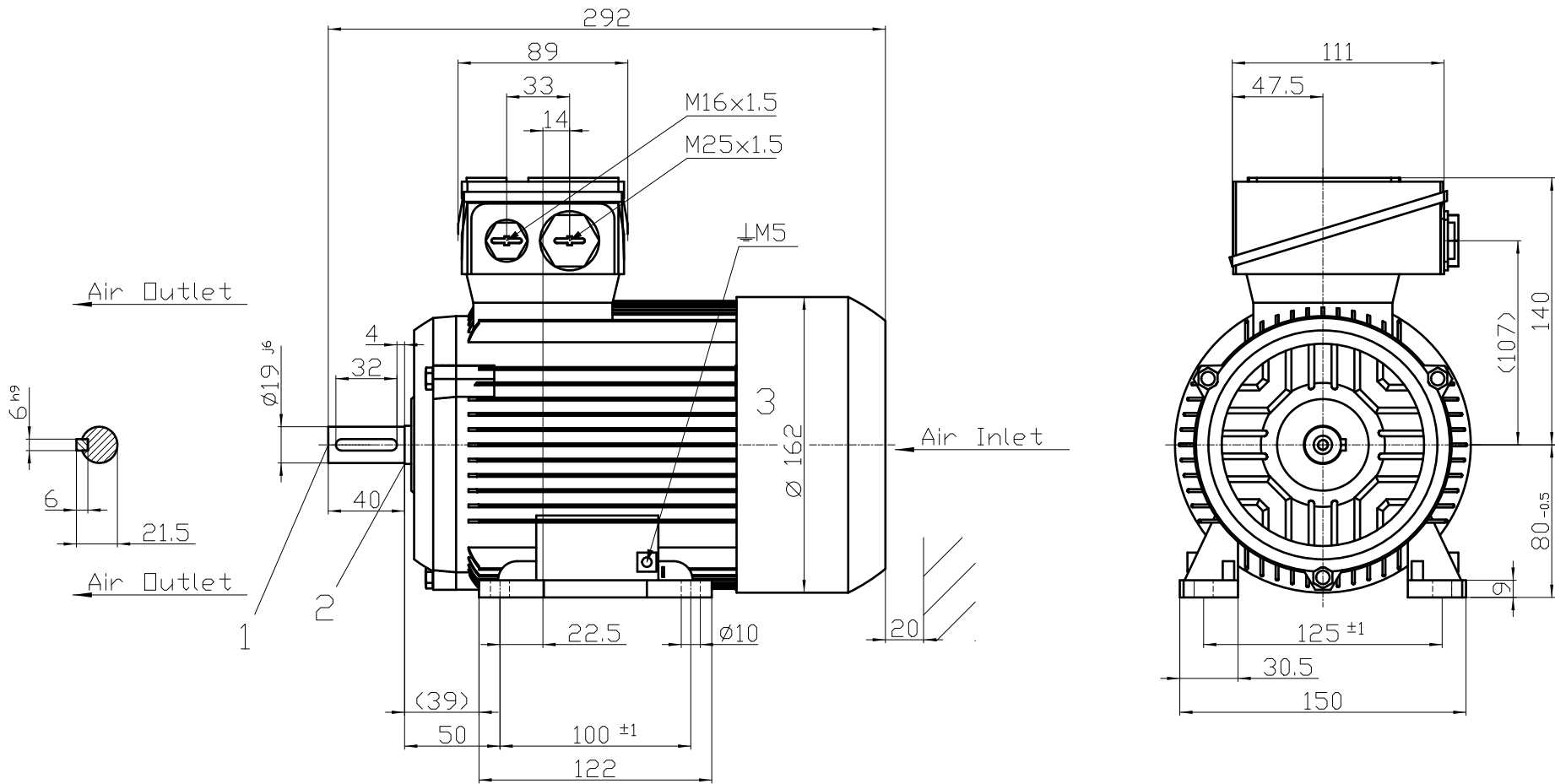


Transmittal, reproduction, dissemination and/or editing of this document as well as the use of its content without express authorization are prohibited. Differences will be held liable for payment of damages. All rights created by patent grant or registration of a utility model or design patent are reserved.



FDÜ: [c & a A } d ^ A q | A T i ç F i
 GDÜ ^ | a - A : [ç ^ A e Á : A Ö Ö í € A A Ü K I G
 HD T ^ æ ~ | ^ a A e [• • Á & ^ , A @ æ •

Tolerance Ö 0.01 A H I W d ^ a e a Ö q ^ q) • ç Ö U A G i i ç A A Ö ç F e q ;	Surface	Material	Weight E	Scale 1:1
Ö Ü K E T L Ö () • ç Ö Ö H F S Ö i e E Ö C G E H Ö E E	Author Creator Approval Department Change Order	Ö a ^) • q) a ^ i æ q *		
SIEMENS	Doc. State Revision	J B H E G Index RS	MLFB Item No Doc No	Doc Type Paper Size Language
	© Siemens AG 2019	Project No E	Ref No E	Sheet F of F