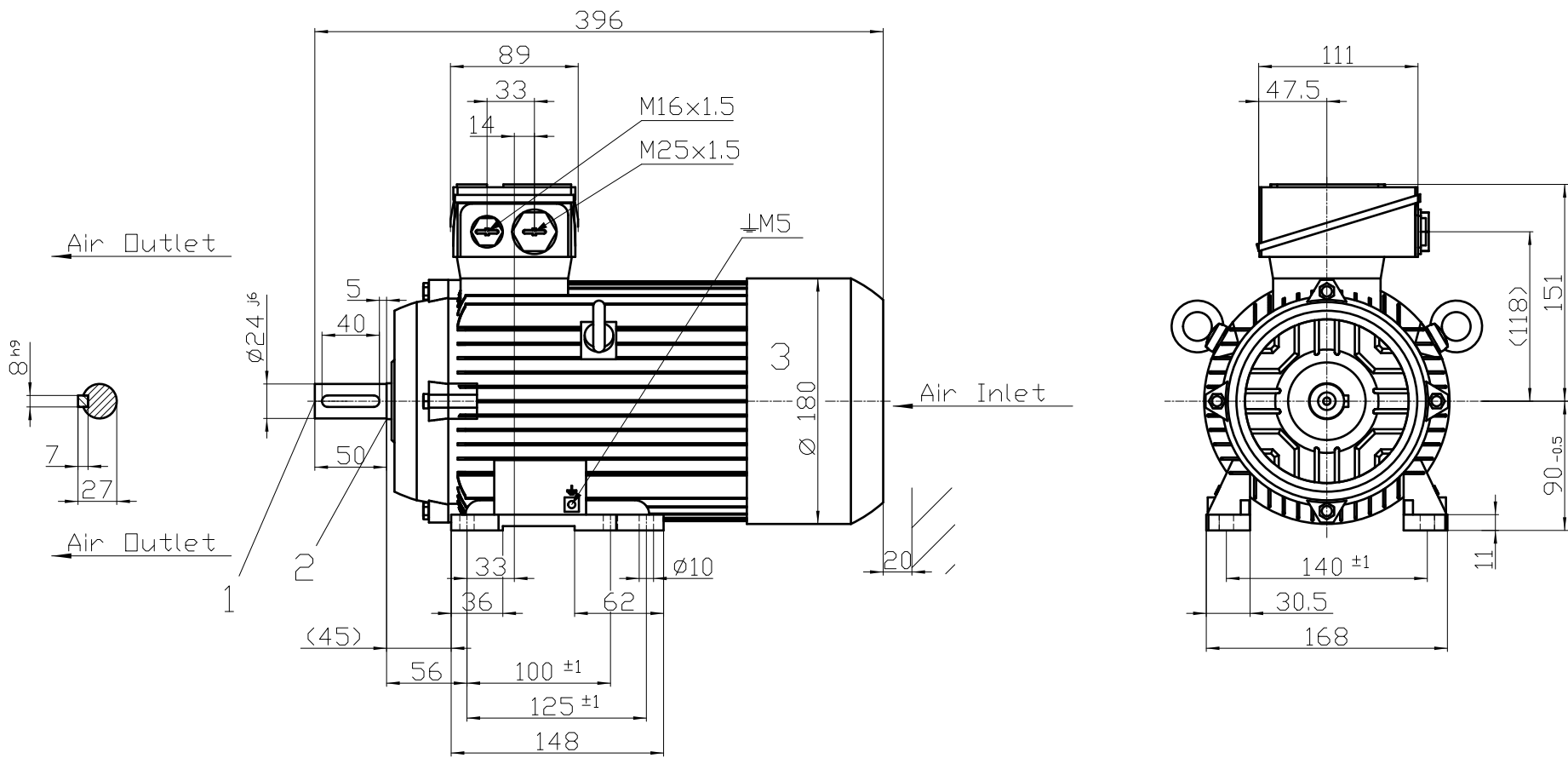


Transmittal, reproduction, dissemination and/or editing of this document as well as the use of the information contained herein without express authorization are prohibited. Infringers will be held liable for payment of damages. All rights created by patent grant or registration of a utility model or design patent are reserved.



FDÜ: [c & a A } d ^ A q | ^ Á í ç GE
 GDÜ ^ | a - Á : [ç ^ Á e Á ^ : Á Ö í € J Á Ü K I G
 HD ^ a ~ | ^ a A & [• • Á & ^ , Á @ a a •

Tolerance		Surface	Material	Weight	Scale	
W d ^ a e a Ö q ^ } • q • Ö U Á í ç Á Ü ç r e q ;				È	⊕ ((
Ö Ü B e S U () • d r Ö H		Author	Ö a ^ } • q } a h : a e q *			
F S Ö i e e Ö Ö i ç e Ö Ö E		Creator				övs
È		Approval				
		Department				
		Change Order	MFB	Doc Type	/	
		Doc. State	J B H E G	Item No	CH	
		Revision	Index	RS	Doc No	Language ^ }
		Project No	È	Ref No	È	Sheet
© Siemens AG 2019						