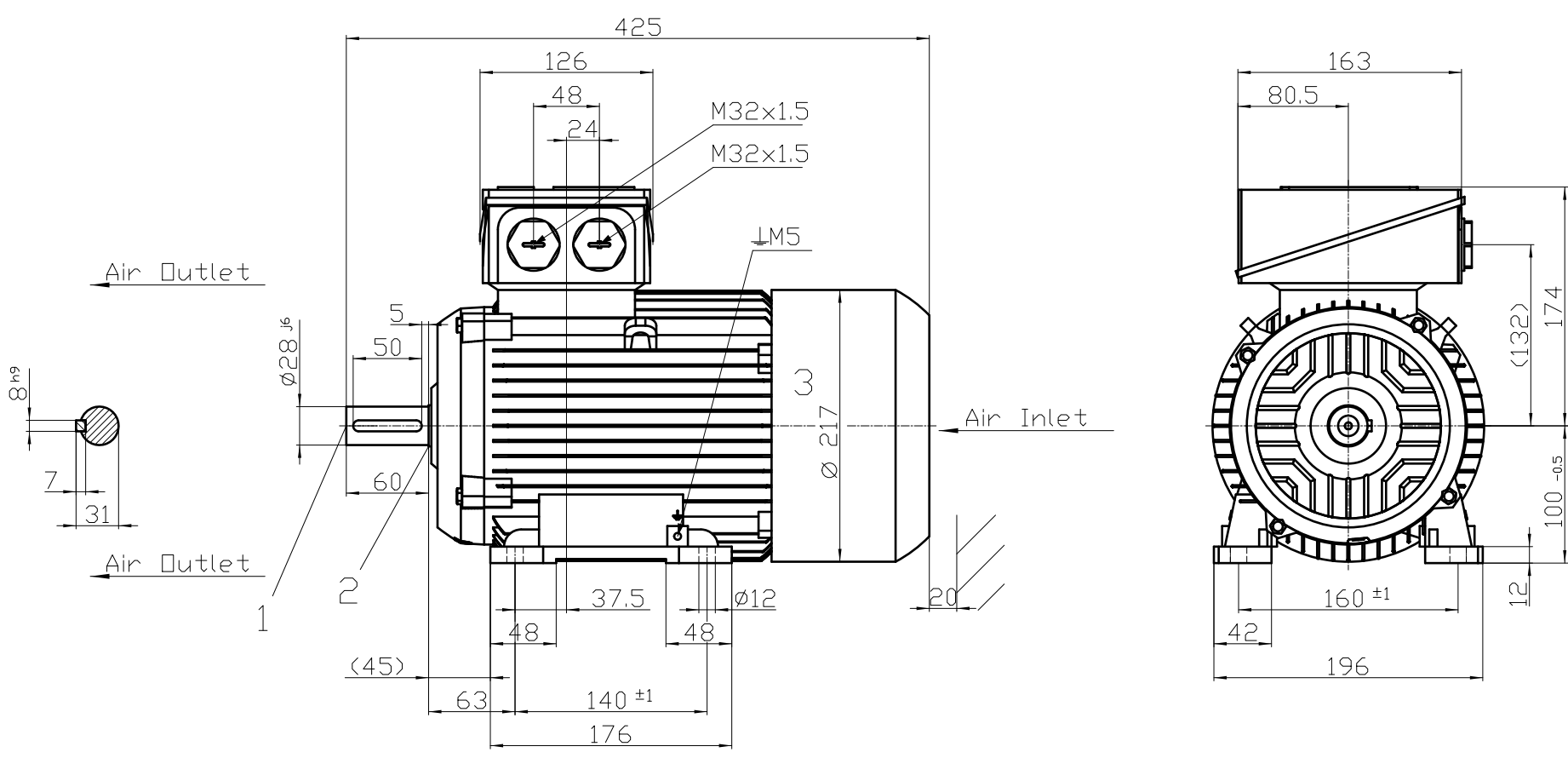


Transmittal, reproduction, dissemination and/or editing of this document as well as the use of its content without express authorization are prohibited. Differences will be held liable for payment of damages. All rights created by patent grant or registration of a utility model or design patent are reserved.



FDÜ: [c & a A \ } d ^ A q | ^ Á F e c G
 GÜ ^ | a ^ Á : [[ç ^ Á e Á ^ : Á Ö Ö í € J Á Ö K I G
 H D ^ ^ e ~ | ^ a ^ Á e [• • Á & ^ , ^ @ e e •

Tolerance Ö Ö P A E H I W d ^ e a e Ö Ö ^) • á) • Ö Ö U A G ç Á Ö Ö c r e q ; Ö Ü F e e S Ö () • d a Ö H F S Ö í e F a Ö í ç e Ö Ö E E	Surface Author Creator Approval Department Change Order Doc. State Revision	Material Item No Doc No Ref No	Weight E	Scale E
SIEMENS © Siemens AG 2019	Index RS	MFB Item No Doc No Ref No	Paper Size CII	Language ^ }
Project No E	Sheet F of F	Doc Type 	Sheet F of F	Sheet F of F