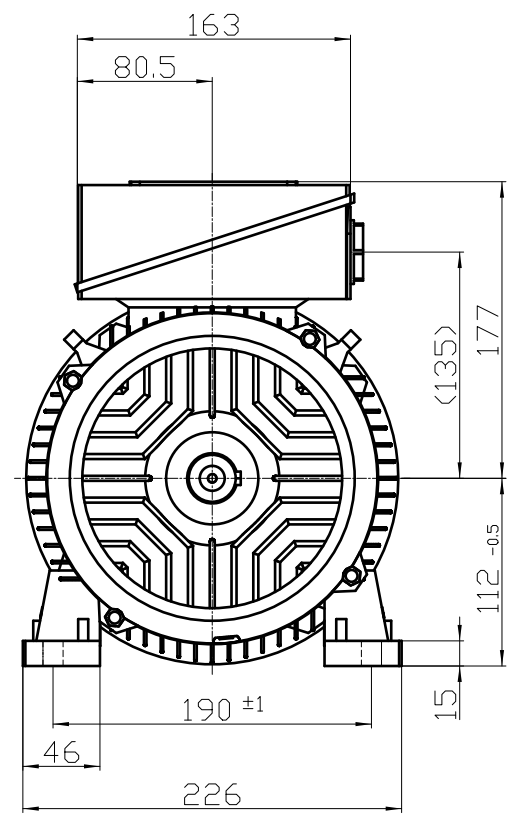
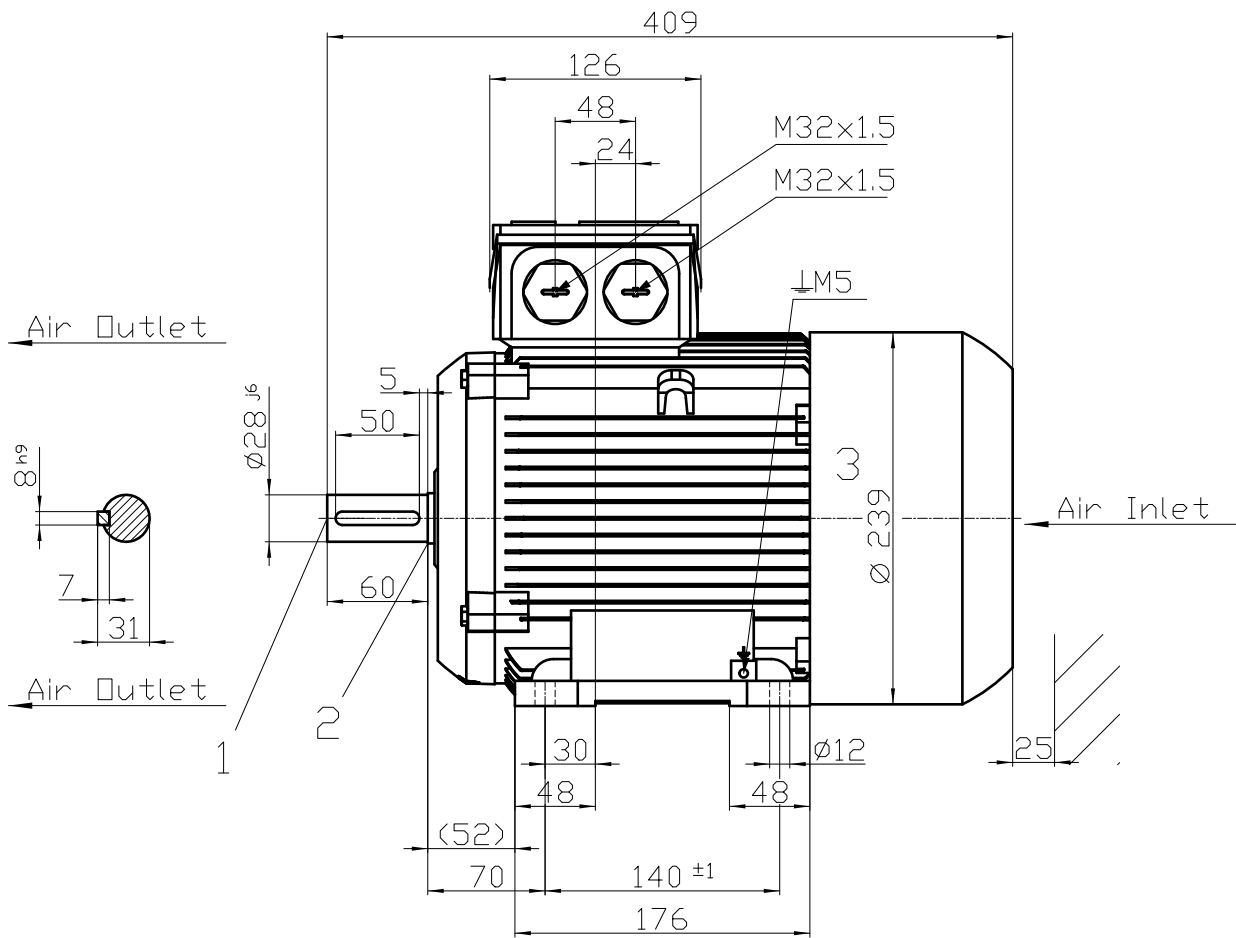


Transmittal, reproduction, dissemination and/or editing of this document as well as the use of its content without express authorization are prohibited. Infringers will be held liable for payment of damages. All rights created by patent grant or registration of a utility model or design patent are reserved.



FDÜ: [c & a A } d ^ A q | ^ Á F c G
 GDÜ ^ a ^ Á : [ç ^ Á e Á ^ Á Ö Ö í € J Á Ö K I G
 HD ^ a ~ | ^ a Á e [• • Á & ^ , Á @ a a •

Tolerance Ö 0.01 A H I W d ^ a e a Ö q ^ } • Ö Ö U Á G i ç Á Ö c f e g ;	Surface	Material	Weight E	Scale 1:1
Ö Ü E F G I Ü Ö } • Ö Ö Ö H F S Ö i e F Ö Ö G H Ö Ö E E	Author	Ö a ^ } • q) a h : a e q *		
	Creator Ö V S			
	Approval			
	Department			
	Change Order	MFB		Doc Type /
	Doc State J B H E G	Item No		Paper Size C E
	Revision Index RS	Doc No		Language ^ }
© Siemens AG 2019	Project No E	Ref No E		Sheet F of F

