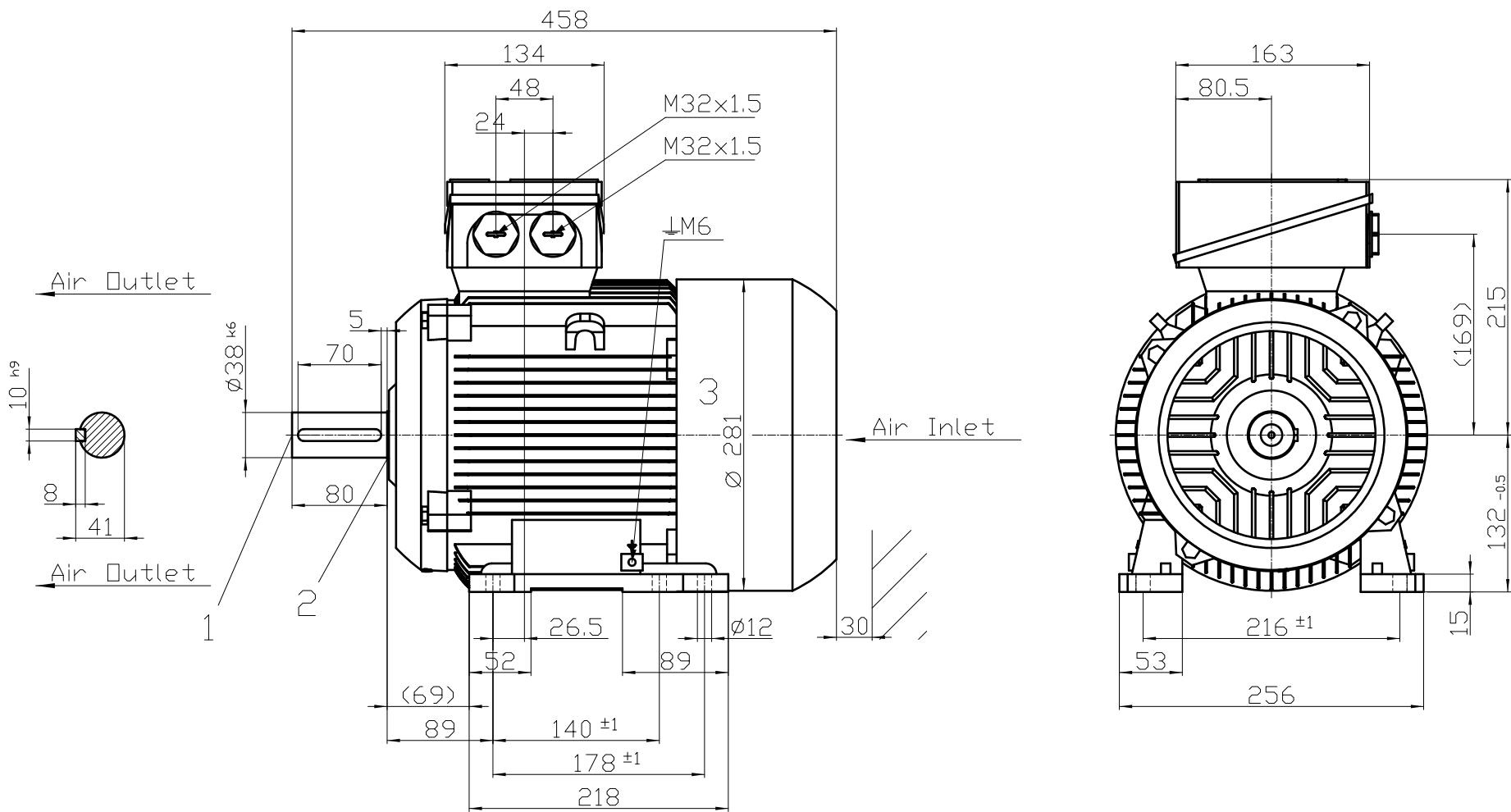


Transmittal, reproduction, dissemination and/or editing of this document as well as the use of its content without express authorization are prohibited. Differences will be held liable for payment of damages. All rights created by patent grant or registration of a utility model or design patent are reserved.



FDÜ: [ c & a & A } d ^ A q | ^ Á F G c G  
 GDÜ ^ | a - Á : [ [ ç ^ Á e Á ^ | Á Ö í € J Á Ü K I G  
 HDÁ ^ æ ~ | ^ á Á e [ • • Á & ^ , Á @ æ •

Tolerance		Surface	Material	Weight	Scale	
Ö Ö P Á E H i W d   ^ a e a Ö q ^ } • Ö U Á i   ç Á Ü c f e g				È	⊕ ( (	
Ö Ü F H U Ö   } • Ö Ö Ö H F S Ö i e F Ö Ö E E Ö E È		Author	Ö ä ^ } • q } a h ä q *			
		Creator		Ö V S		
		Approval				
		Department				
		Change Order	MFB	Doc Type		
		Doc State	J B E E G	Item No	Paper Size C H	
		Revision	Index RS	Doc No	Language ^ }	
© Siemens AG 2019		Project No È		Ref No È	Sheet F of F	