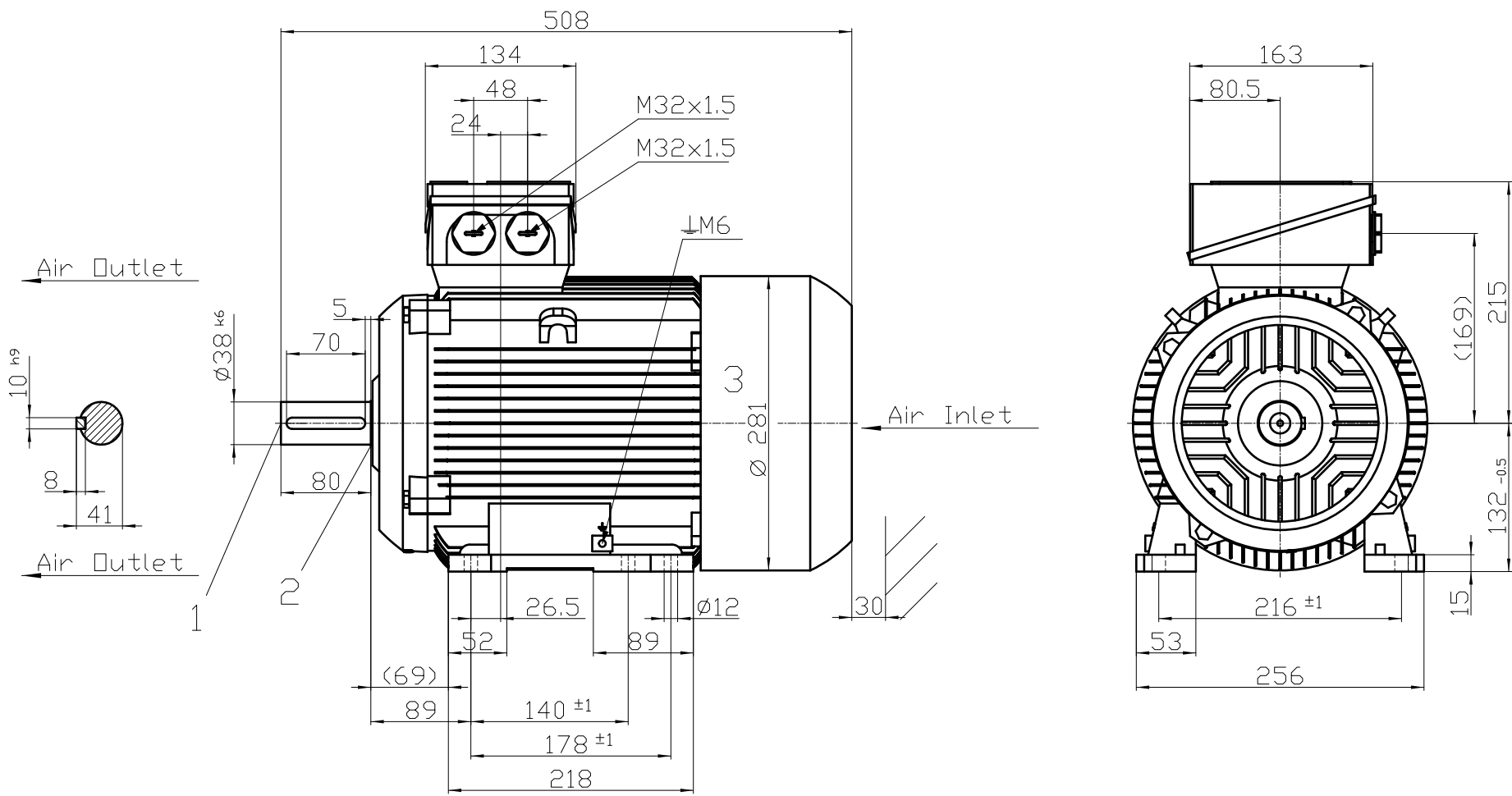


Transmittal, reproduction, dissemination and/or editing of this document as well as the use of its content without express authorization are prohibited. Differences will be held liable for payment of damages. All rights created by patent grant or registration of a utility model or design patent are reserved.



FDÜ: [ c^&ã&^ } d^Aq |^Á FGcG  
 GDÜ^|a^Á: [ ç^Á&^ Á^:ÁÖÍ €J^ÁÜKI G  
 HD^ ^æ^ |^ã&^ [ ••Á&^, Á@æ•

Tolerance		Surface	Material	Weight	Scale	
ÖÖÁÁÉH W d^ æ^ã&^ } •ã } ÖÖÜÁÍ   ç^ÁÜKI c^ÁÜKI c^ÁÜKI				É		
ÖÜÉHÜÜÖ } •çá ÖH FÖÖÍ €É ÖÖFHÉ ÖÖÉ É		Author	Öã ^} •ã } ç^ÁÜKI ç^ÁÜKI			
		Creator		ÖVS		
		Approval				
		Department				
		Change Order	MFB	Doc Type		
		Doc. State	JÖÉÖG	Item No	Paper Size	
		Revision	Index	RS	Doc No	
		Project No	É	Ref No	É	
© Siemens AG 2019					Sheet F of F	