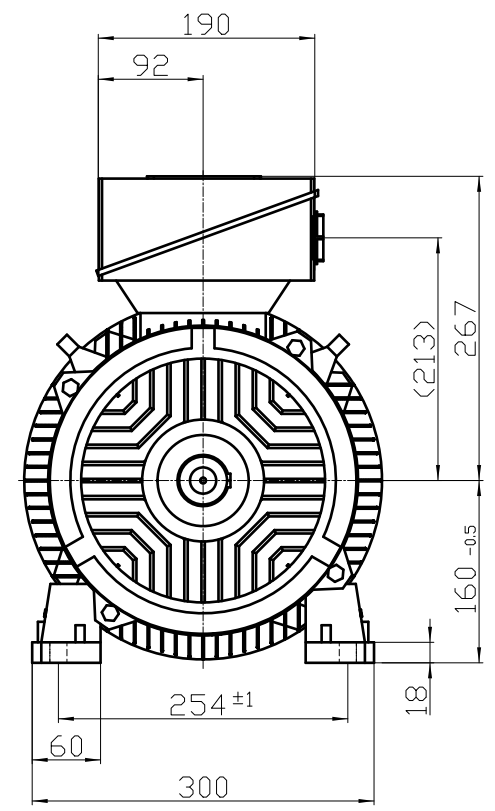
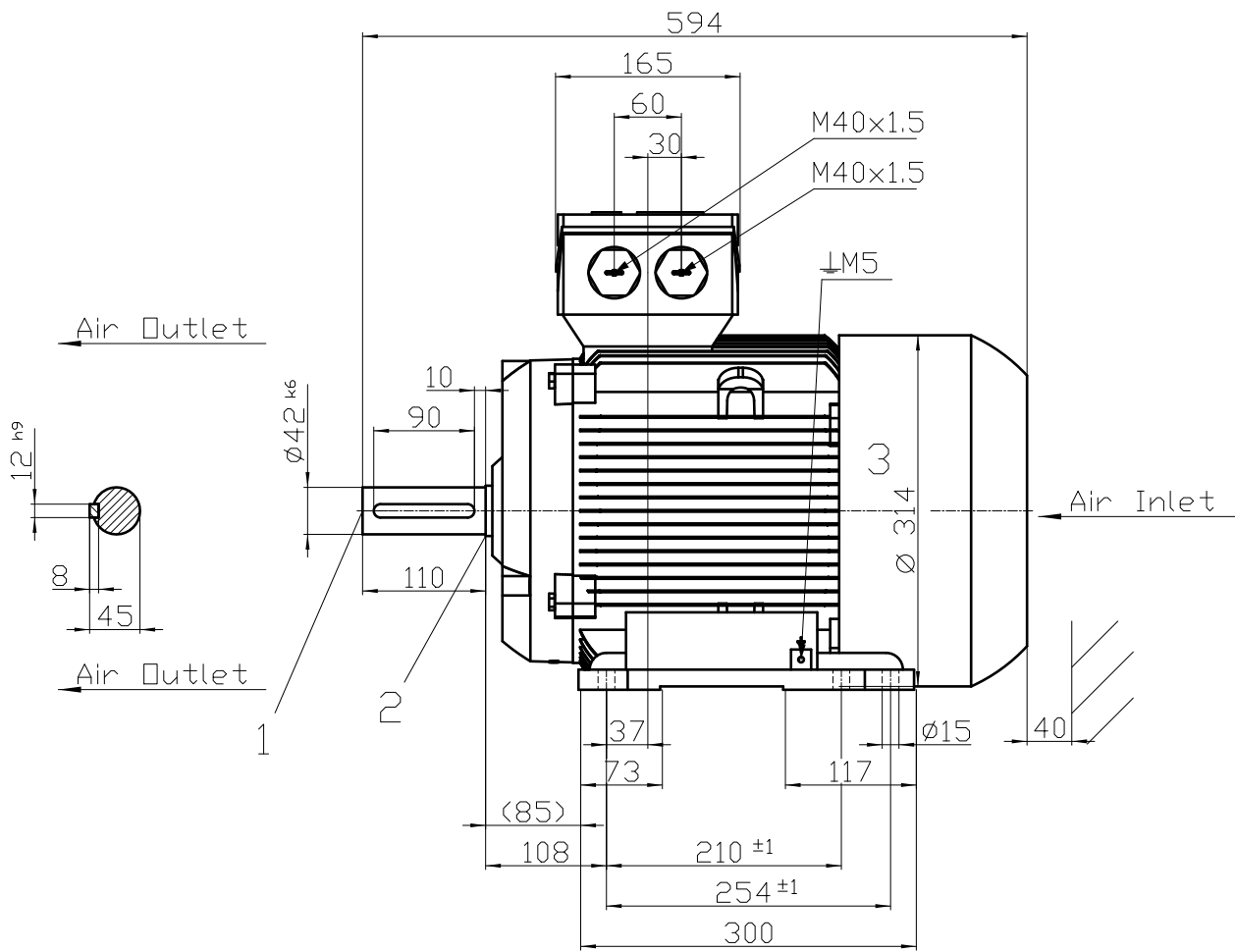


Transmittal, reproduction, dissemination and/or editing of this document as well as the use of its content without express authorization are prohibited. Differences will be held liable for payment of damages. All rights created by patent grant or registration of a utility model or design patent are reserved.



FDÜ: [c & a A } d ^ A q | ^ T F i c H
 GDÜ ^ | a - A : [[ç ^ A e ^ | : Ö O í € J A Ö K I G
 HD ^ ^ e ~ | ^ a A & [• • A & ^ , A @ a a •

Tolerance	Surface	Material	Weight	Scale
ÖÖ P A E H i W d ^ a e a Ö q ^ • q • Ö Ö U A G i ç A Ö c f e q			È	⊕ ((
ÖÜ E i e t U Ö () • d e r Ö H F S Ö i i e e Ö Ö G E Ö E È	Author	Ö a ^) • q) a h : a e q *		
	Creator		ÖVS	
	Approval			
	Department			
	Change Order	MFB		Doc Type
	Doc. State	J B H E G	Item No	Paper Size Ö E
	Revision	Index RS	Doc No	Language ^ }
© Siemens AG 2019	Project No È		Ref No È	Sheet F of F