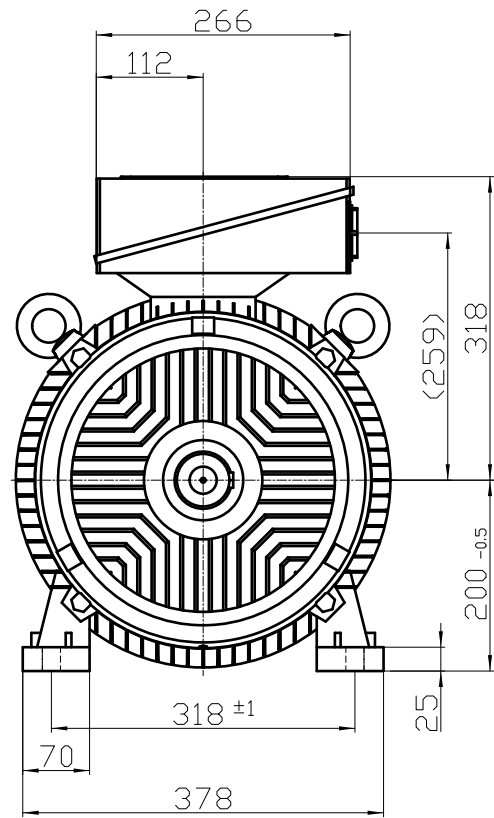
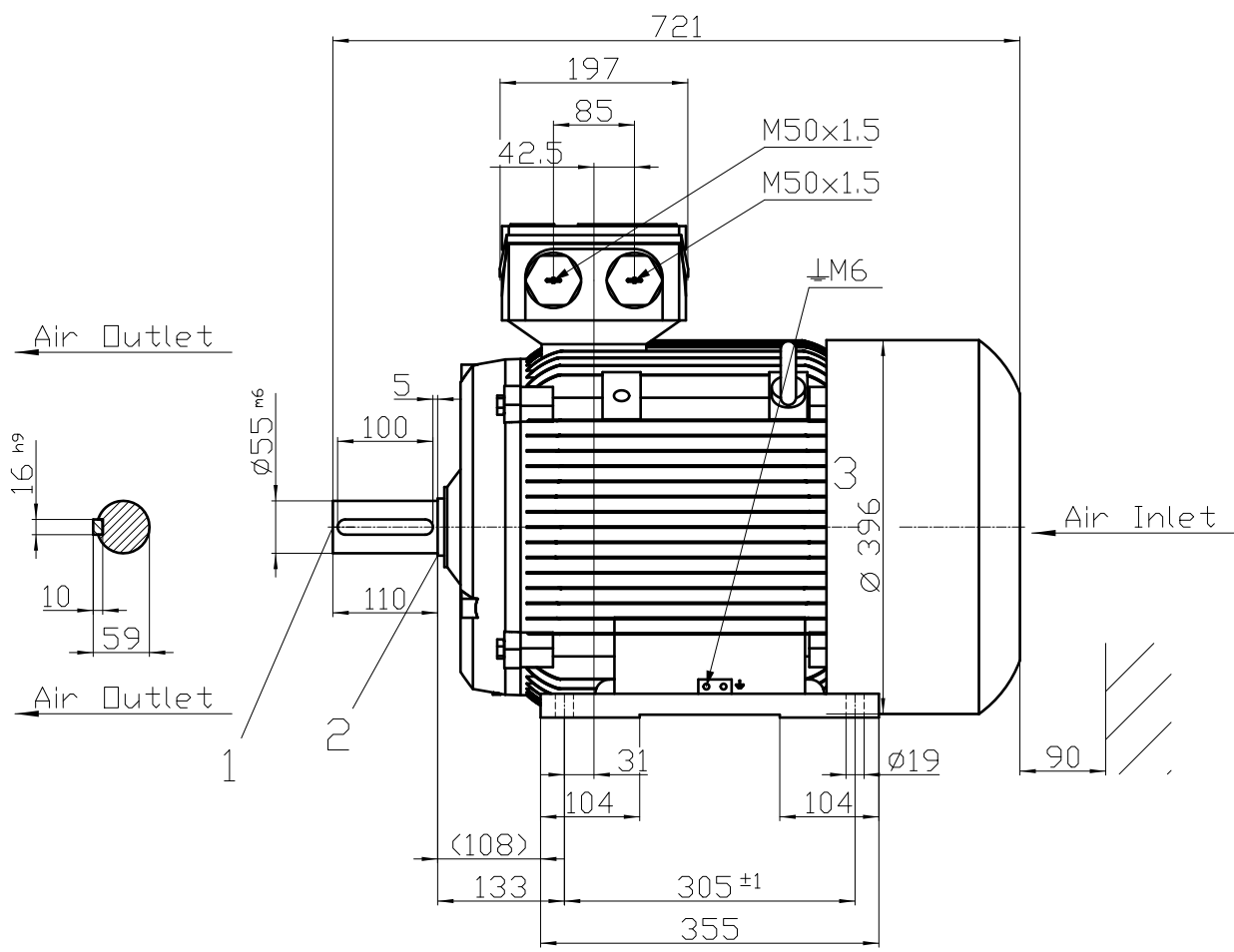


Transmittal, reproduction, dissemination and/or editing of this document as well as the use of its content without express authorization are prohibited. Differences will be held liable for payment of damages. All rights created by patent grant or registration of a utility model or design patent are reserved.



FDÜ: [ c & a A } d ^ A q | ^ Á T G e i G  
 GDÜ ^ a ^ Á : [ ç ^ Á e Á ^ Á Ö Ö í € J Á Ö K I G  
 HD ^ a ~ | ^ a Á e [ • • Á & ^ , Á @ a a •

Tolerance	Surface	Material	Weight	Scale
0.05			E	1:1
Author	Creator	Approval	0.05 FSC i e E C O D I H E C E E E	
ÖVS				
Department				
Change Order		MLFB		
Doc State	JOBEG	Item No	Paper Size	CE
Revision	Index	RS	Doc No	Language
© Siemens AG	2019	Project No	E	Ref No
			E	Sheet
				F of F