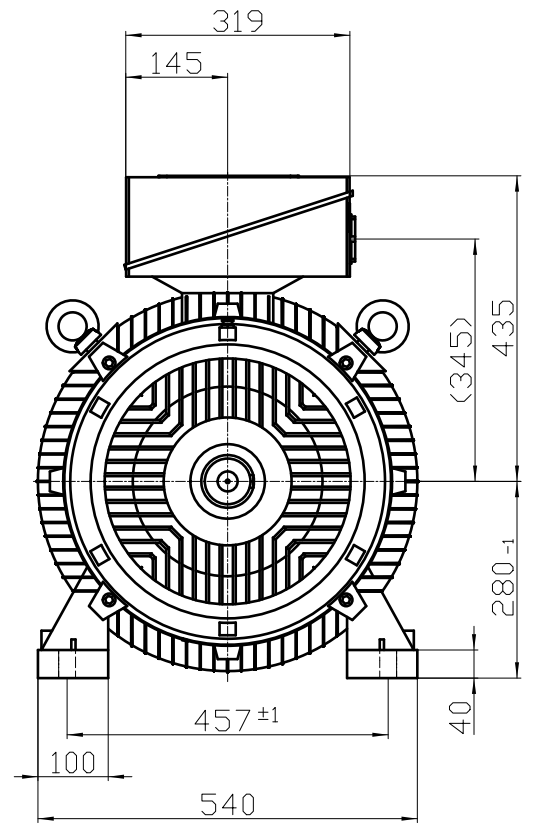
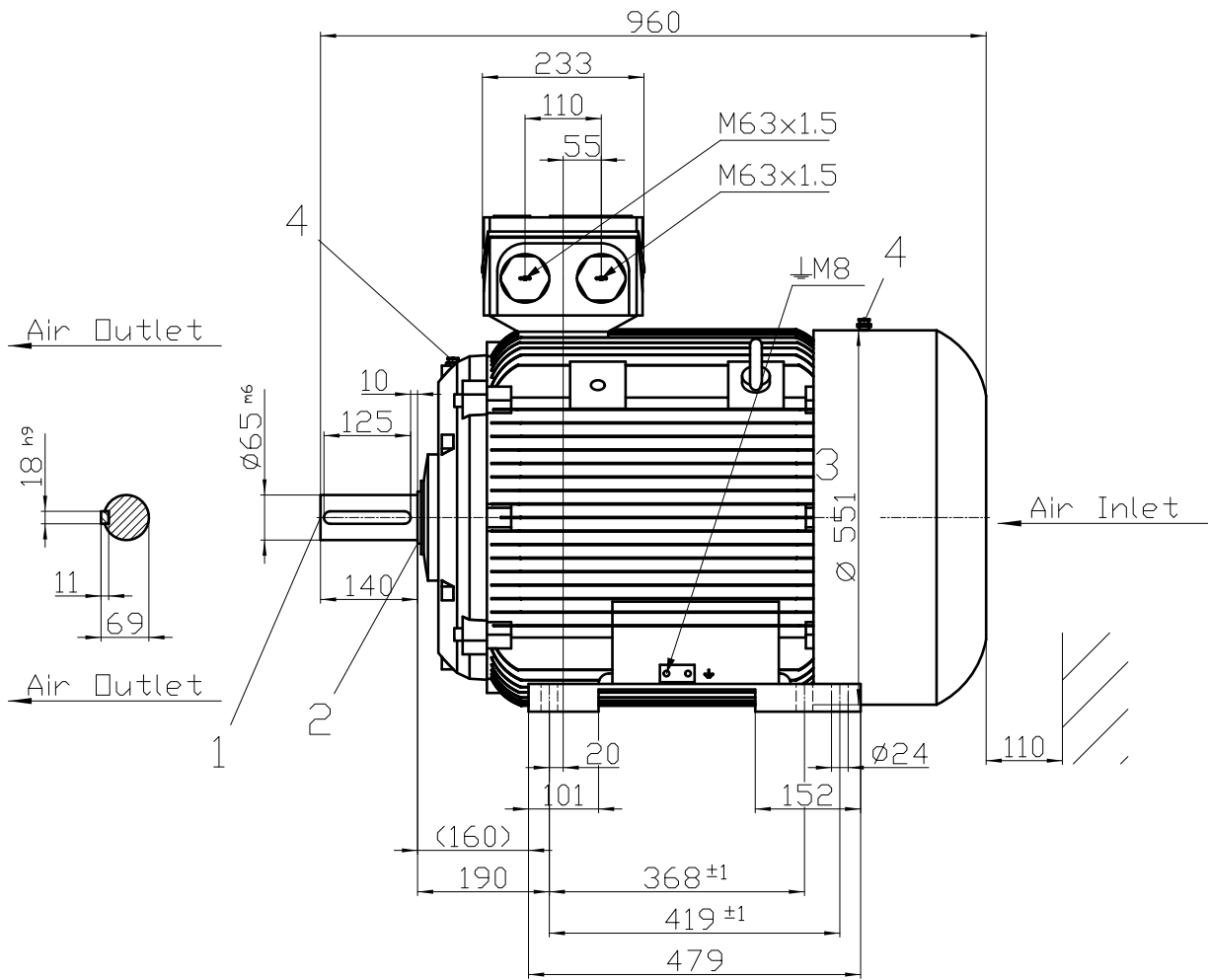


Transmittal, reproduction, dissemination and/or editing of this document as well as the use of the information contained herein without express authorization are prohibited. Differences will be held liable for payment of damages. All rights created by patent grant or registration of a utility model or design patent are reserved.



FDÜ: [c^&^ã&^ } d^Á@ |^ÁT Gçl G
 GDÜ^|a^Á: [ç^Á&^ Á^:ÁÖÖÍ €JÁÖÜKI G
 HD^ Á&^ |^á&^ [••Á&^, Á@æá•
 I DÖ|^æ^Á&^ |^ÁT FçF&^ Á^:ÁÖÖH € DÜK €€J

Tolerance	Surface	Material	Weight	Scale
0.001			É	1:1
Author	Creator	Approval	ÖV Department Change Order Doc. State Revision	
ÖV	ÖV			
SIEMENS	Doc. State	Item No.	Paper Size	
	Revision	Doc No.	Language	
© Siemens AG 2019	Project No.	Ref No.	Sheet	
	É	É	F of F	