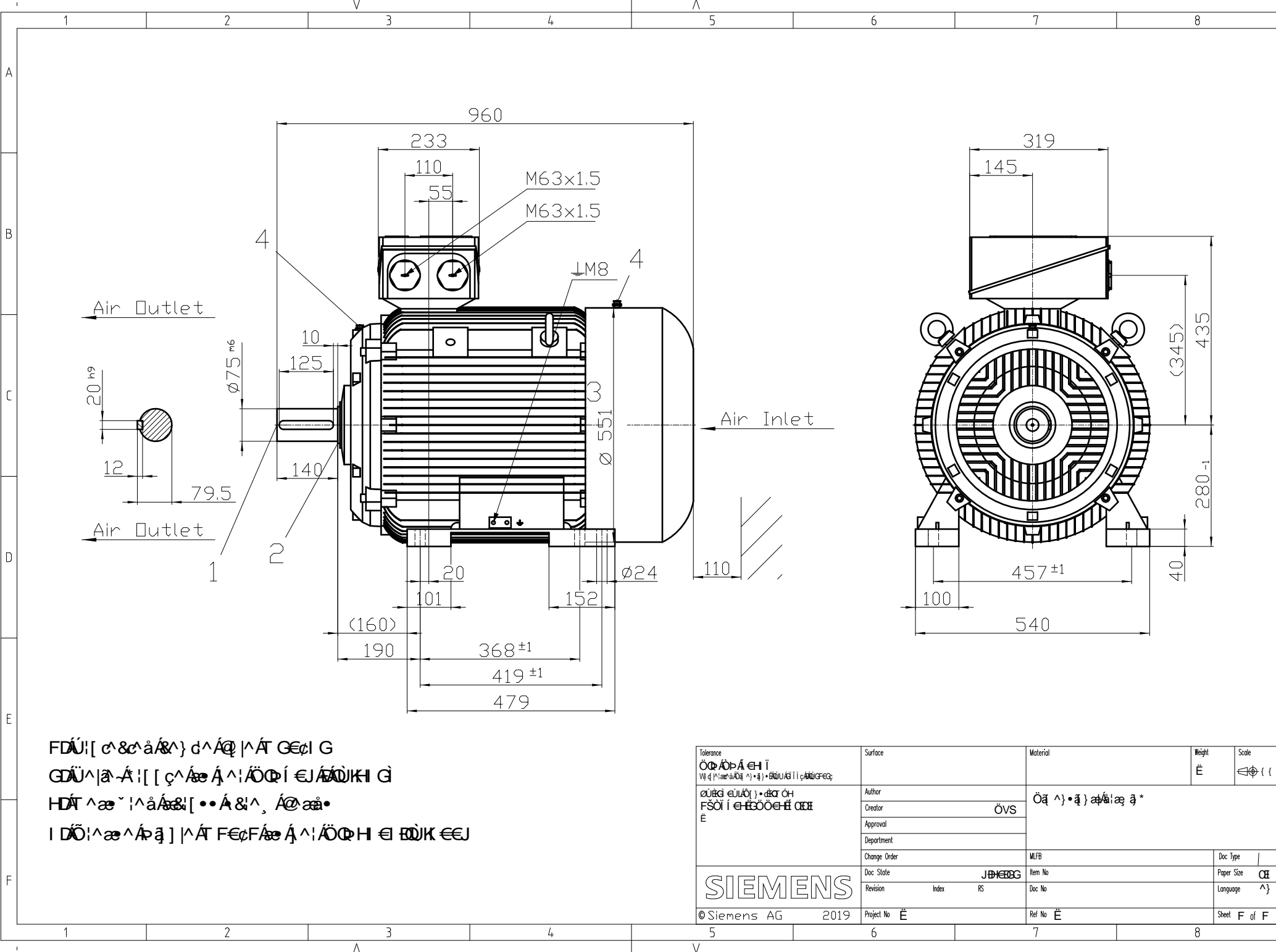


Transmittal, reproduction, dissemination and/or editing of this document as well as the use of its contents without express authorization are prohibited. Infringers will be held liable for payment of damages. All rights created by patent grant or registration of a utility model or design patent are reserved.



FDÜ: [ c & a & A } d ^ A Q | ^ Á T G e l G  
 GDÜ ^ | a - Á : [ [ ç ^ Á e Á ^ : Á Ö Ö í € J Á Ö K I G  
 H Á T ^ e ~ | ^ a Á & ! [ • • Á & ^ , Á @ a a •  
 I D Ö ! ^ e ^ Á a j | ^ Á T F e c F a e Á ^ : Á Ö Ö H € D Ü K € € J

Tolerance		Surface	Material	Weight	Scale	
Ø 0/0.05 H 7				É	1:1	
W d [ M a e a O a ^ ) • a } • E O U A i i c A A U c r e q		Author	Ö a ^ ) • a } • a } • a } • a }			
Ö Ü G € U L Ö ) • d a Ö H		Creator		övs		
F S Ö i e E Ö Ö e H Ö E		Approval				
É		Department				
		Change Order		MLFB		Doc Type
		Doc State	J B E E G	Item No	Paper Size	
SIEMENS		Revision	Index	RS	Doc No	
© Siemens AG 2019		Project No	É	Ref No	É	
					Sheet F of F	