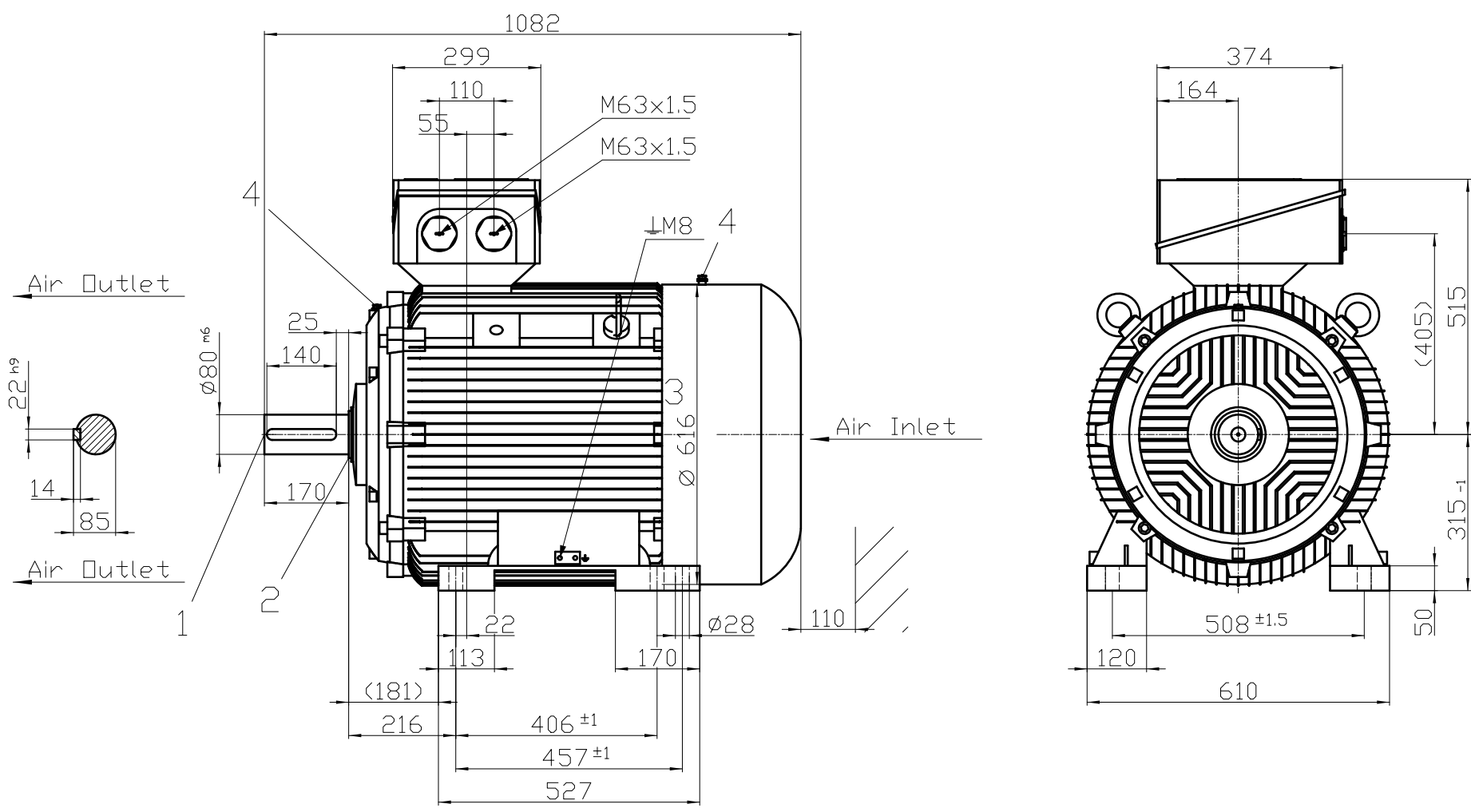


Transmittal, reproduction, dissemination and/or editing of this document as well as the use of its content without express authorization are prohibited. Infringers will be held liable for payment of damages. All rights created by patent grant or registration of a utility model or design patent are reserved.



FDÜ: [c & a & a } d ^ A q | A T G e i G
 GDÜ ^ a ^ A : [[ç ^ A e ^ A : A Ö Ö í € J A Ö K I G
 HDÄ ^ æ ~ | ^ a ^ A & ! • • A & ^ , A @ æ •
 I DÖ | ^ æ ^ A q] | A T F e c F a e ^ A : A Ö Ö H € Ö K € J

Tolerance ÖÖ A P A E H i W d ^ a e ^ A Ö Ö ^ A : • Ö Ö U A Ö i i ç A Ö Ö c f e q :	Surface	Material	Weight É	Scale E
ÖÜ K F i Ü Ö Ö } • Ö Ö Ö H F S Ö i e H Ö Ö E Ö Ö É	Author	Öä ^) • q } a ^ a e q *		
É	Creator övs			
	Approval			
	Department			
Change Order	MFB	Doc Type		
SIEMENS	Doc. State J B H E G	Item No	Paper Size CII	Language ^ }
	Revision Index RS	Doc No		
	© Siemens AG 2019	Project No É	Ref No É	Sheet F of F