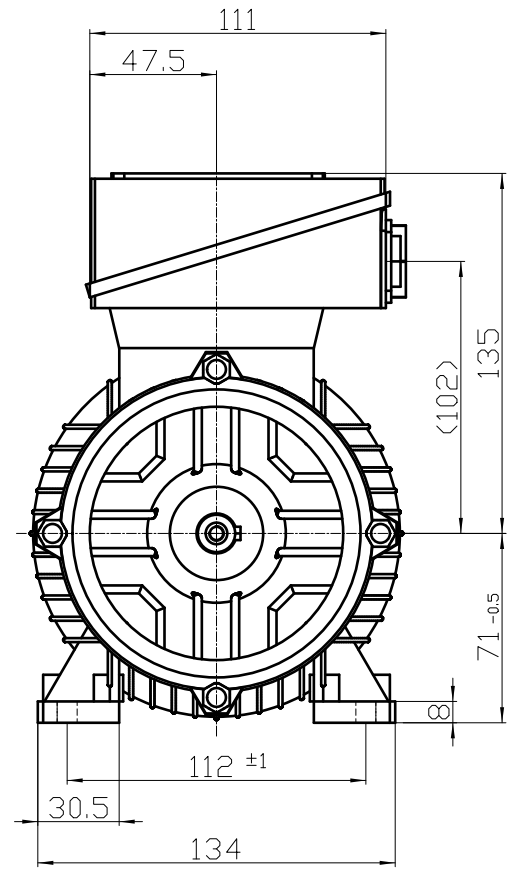
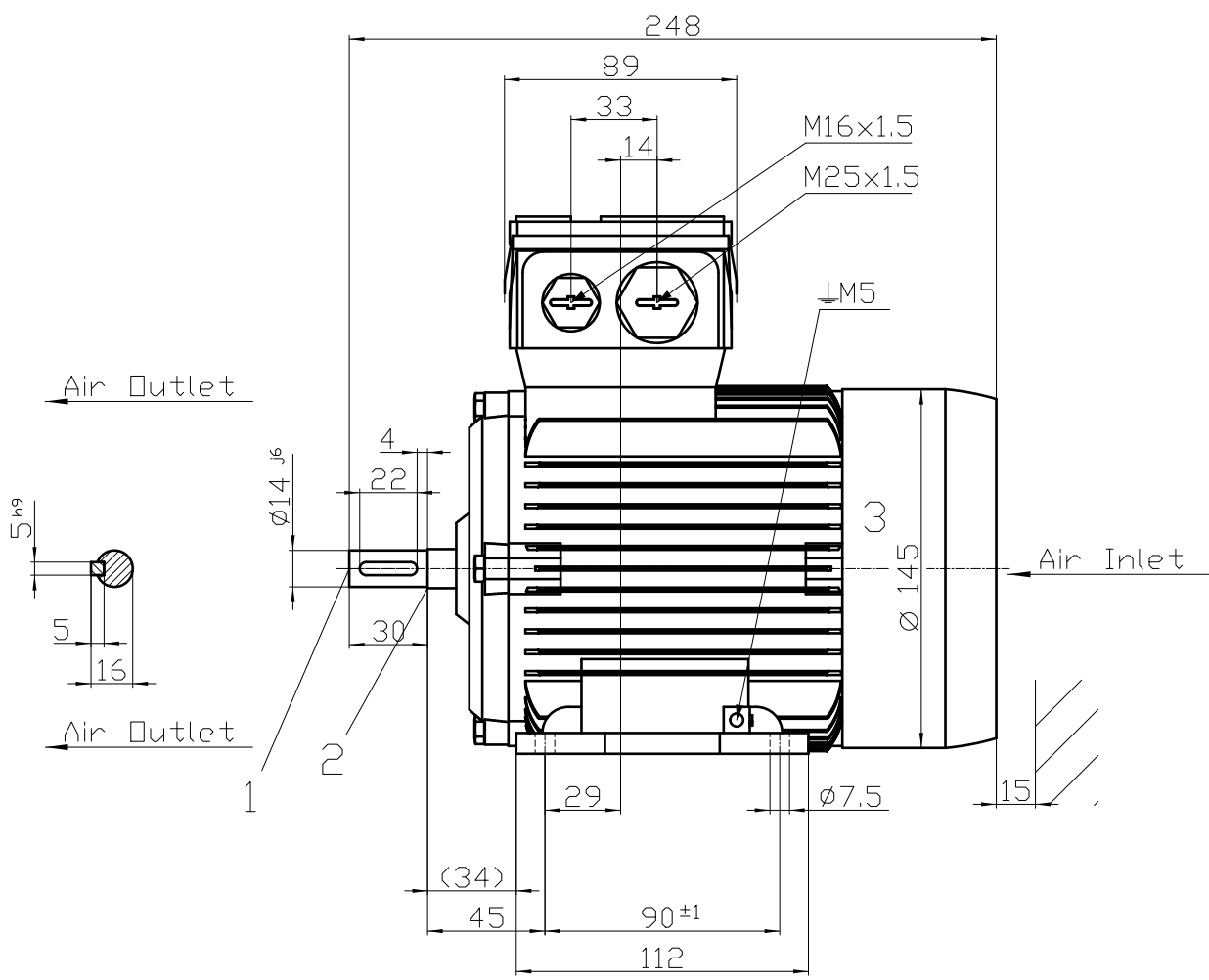


Transmittal, reproduction, dissemination and/or editing of this document as well as the use of its content without express authorization are prohibited. Differences will be held liable for payment of damages. All rights created by patent grant or registration of a utility model or design patent are reserved.



FDÜ: [c & a A } d ^ A Q | ^ Á í ç FG
 GDÜ ^ a ^ Á : [ç ^ Á e Á ^ Á Ö Ö í € Á Ö K I G
 HD ^ a ~ | ^ a Á e [• • Á & ^ , Á @ a a •

Tolerance	Surface	Material	Weight	Scale
0.001			E	1:1
0.002	Author	ÖS		
0.003	Creator			
0.004	Approval			
0.005	Department			
0.006	Change Order	MFB	Doc Type	
0.007	Doc State	JHEEG	Item No	Paper Size
0.008	Revision	Index RS	Doc No	Language
0.009	Project No	E	Ref No	Sheet F of F



© Siemens AG 2019